



# Kirby Morgan Dive Systems, Inc.®

1430 Jason Way Santa Maria, California 93455

Phone: 805/928-7772 Fax: 805/928-0342

www.KirbyMorgan.com email: kmdsi@KirbyMorgan.com

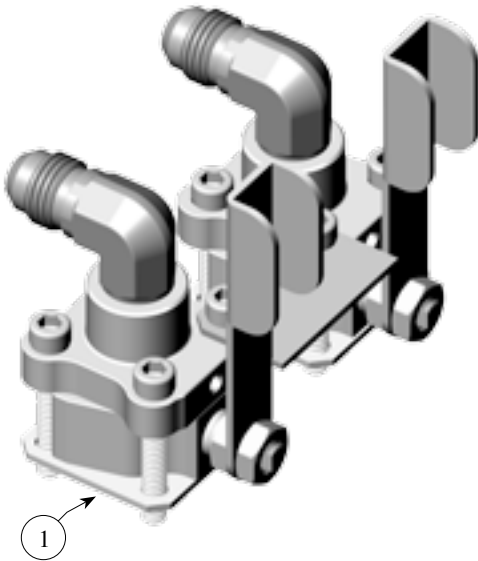
## Part # 425-110 DCS-2A Shut-Off Valve Kit

Loc. #	Part #	Description	Qty
1	420-106	DCS Shut-off Plate	2
2	430-134	#10 Flat Washer	8
3	430-141	Screw	8
4	440-210	Handle Stop	1
5	440-212	Shut-off Valve Handle	2
6	455-143	Elbow	2
7	455-157	Shut-off Valve, Chrome	2

Tools required:

5/32" Allen Wrench

### Installation Instructions

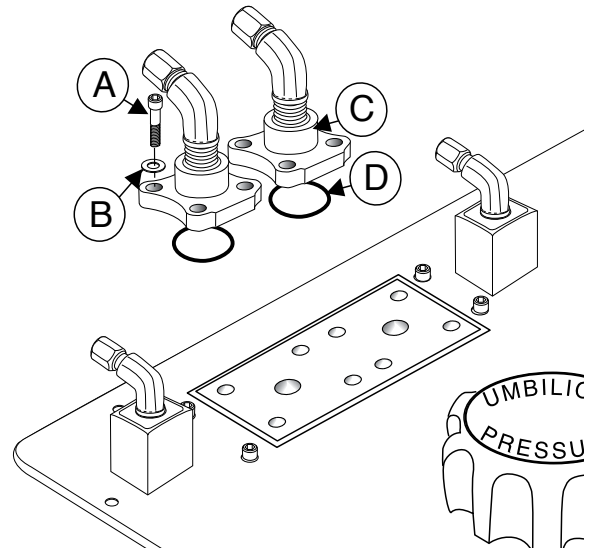


The P/N 425-110 DCS-2A shut-off valve kit as it ships with P/N 420-106 DCS Shut-off Plate

housing in the order shown. Do the following procedure on one valve at a time.

1. Remove the eight screws (A), and eight washers (B), along with the two flanges (C) containing the umbilical outlet fittings and the O-rings (D). These parts will not be reused.

2. Clean the top of the manifold block.



Parts to be removed from the DCS-2A

**NOTE:** Study the BlowApart drawing at the end of these instructions before proceeding. Once the P/N 420-106 DCS Shut-off Plate (1) is removed and discarded, the valve interior parts can fall out. If this happens replace the components in the body

3. Support the P/N 420-106 DCS Shut-off Plate (1) on the bottom of the valve and remove the nuts on the attachment screws. Do not remove screws.

# Kirby Morgan Dive Systems, Inc.®

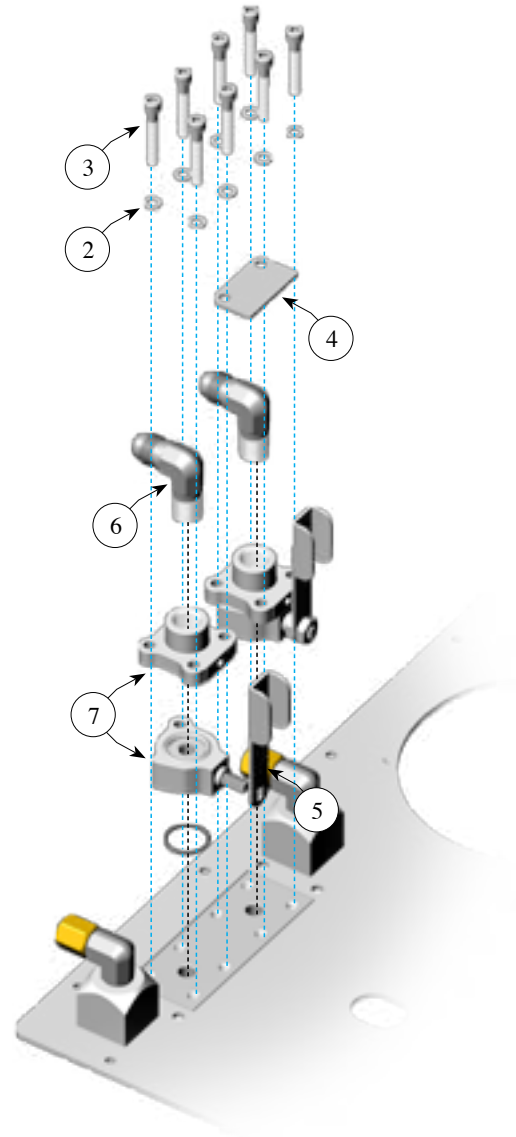
1430 Jason Way Santa Maria, California 93455

Phone: 805/928-7772 Fax: 805/928-0342

www.KirbyMorgan.com email: kmdsi@KirbyMorgan.com



4. Place the valve assembly on the manifold block and gently slide out the plastic plate. Install the screws (3) and washers (2) from the kit.
5. Align the new screws with their respective holes and hand tighten. The handle stop (4) is secured by the two inside screws.
6. Tighten all 8 screws (3) to 20 inch pounds of torque.



*Correct assembly of the 455-157 Shut-off Valve Assembly*