



# Kirby Morgan Dive Systems, Inc.®

1430 Jason Way Santa Maria, California 93455

Phone: 805/928-7772 Fax: 805/928-0342

www.KirbyMorgan.com email: kmdsi@KirbyMorgan.com

## Part #525-717 KM 37, 47, 57 and SL 17K Brackets Kit

PART NUMBER	DESCRIPTION	QTY
530-040	Screw	2
530-043	Screw	3
530-556	Washer	1
540-130	Mount Bracket—Port Side	1
540-132	Mount Bracket—Starboard Side	1

### Mount Bracket Installation



1) Remove the two port retainer screws, one on either side of the handle. These will not be reused to mount the brackets.

2) To install the mount brackets P/N 540-130 & 540-132, the handle must be removed as described in the Operations and Maintenance manual Accessories module. Remove the two bracket mount screws and washers from the top weight. These will be reused to mount the brackets.

3) Position the two brackets on the helmet and reinstall the two bracket mount screws and washers that go into the top weight. **DO NOT TIGHTEN.**



4) Align the holes in the front part of the brackets with the holes in the port retainer. Install one screw in each bracket in the outer mount holes. (Screw P/N 530-040 supplied in the kit) **DO NOT TIGHTEN.**

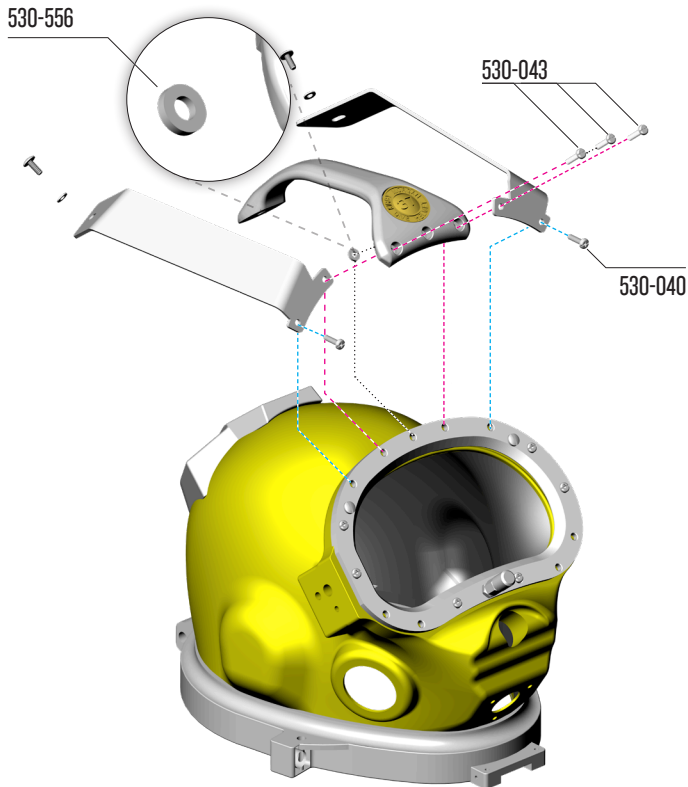


# Kirby Morgan Dive Systems, Inc.®

1430 Jason Way Santa Maria, California 93455

Phone: 805/928-7772 Fax: 805/928-0342

www.KirbyMorgan.com email: kmddsi@KirbyMorgan.com



5) Position the handle on the helmet and align all the holes. Install new screws P/N 530-043. First install the 2 outer screws, but **DO NOT TIGHTEN**. Slide the washer P/N 530-556 between the handle and the port retainer and install the center handle screw through the washer. **DO NOT TIGHTEN**.



6) Thread the rear handle mount screw and washer into the top weight. **DO NOT TIGHTEN**.



7) Tighten screws. Torque the front handle and the bracket mount screws first. Torque to 12 inch pounds.

### **DO NOT OVERTIGHTEN SCREWS!**

Over torquing these screws can cause severe damage to the helmet shell and the port retainer threaded inserts. Always use a torque screwdriver to tighten any port retainer screws.

8) Torque the handle and accessory mounting screws on the top weight to 35 inch pounds.

