



# Kirby Morgan Dive Systems, Inc.®

1430 Jason Way Santa Maria, California 93455

Phone: 805/928-7772 Fax: 805/928-0342

www.KirbyMorgan.com email: kmdsi@KirbyMorgan.com

## 525-403 Weld Lens Kit For all models, Kirby Morgan® Helmets and BandMasks®

Loc. #	Part #	Description	Qty
1	530-320	Lock Nut	2
2	530-535	Washer	2
3	530-408	Star Washer	2
4	540-030	Mount Ear	2
5	530-210	Mount Screw	2
6	530-527	Washer	2
7	520-030	Washer	2
8	550-025	Stud	2
9	560-046	Weld Lens Frame	1
10	535-901	Snap Ring	1
11	510-577	Bumper	2
	520-072	Sticker, Small oval KMDSI	1

Lenses are available separately as Part #525- 405 lens light, #525- 406 lens medium, #525- 407 lens dark.

This Welding Lens Assembly will fit all models, Kirby Morgan helmets and Bandmasks. The port retainers are supplied with two plug screws which are designed to protect the two threaded holes on the port retainer which are provided for mounting the welding lens assembly.

### **⚠ CAUTION**

**Generally, the Weld Lens Mount Screw (5) should be used only to mount the Weld Lens to the port retainer. Use of this screw for other unapproved purposes may result in damage to the fiberglass port area. The plug screws should be reinstalled when the Weld Lens is not mounted to the port retainer.**

**This assembly is designed to provide visual protection only. Please read the complete instruction sheet before proceeding.**

### **Installation Instructions**

1. Remove the two plug screws from the port retainer.
2. Insert the mount screws 530-210 through the spacer washers 530-527 and then through the mount ears 540-030.
3. With the rubber bumpers 510-577 facing the inside of the helmet or mask, install and tighten (to 23 inch pounds) the two mount screws 530-210 into the port retainer.
4. Tighten the two locknuts 530-320 on the ends of the hinge studs 550-025 so that the Welding Lens Assembly

# Kirby Morgan Dive Systems, Inc.®

1430 Jason Way Santa Maria, California 93455

Phone: 805/928-7772 Fax: 805/928-0342

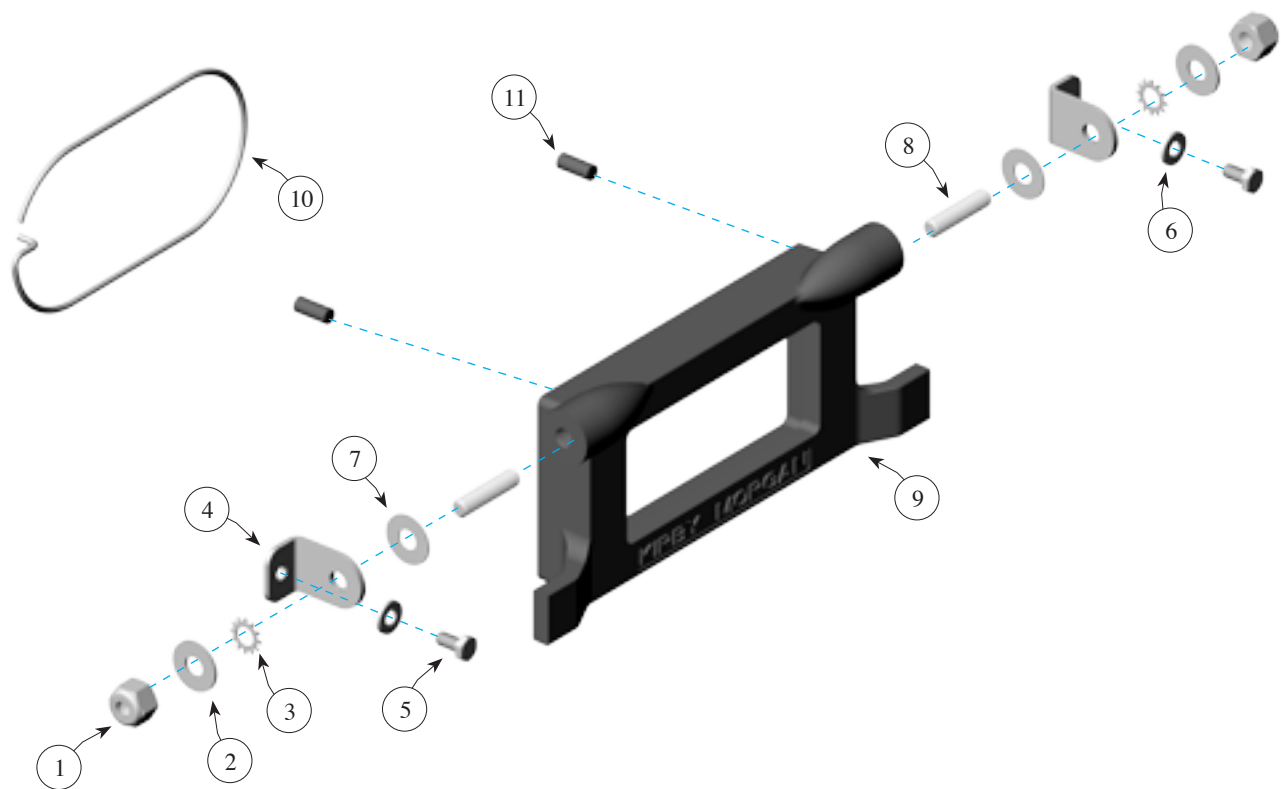
www.KirbyMorgan.com email: kmksi@KirbyMorgan.com



can be flipped up, but will not fall down from its own weight.

## ⚠ WARNING

We highly recommend that extreme caution be exercised by all divers, regardless of helmet or mask used, to avoid the possibility of underwater explosions when cutting or welding. It cannot be over stressed that any underwater explosion can result in the injury or death of the diver!



## ⚠ CAUTION

Use only KMDSI original replacement parts. The use of other manufacturers' parts will interfere with the performance characteristics of your life support equipment and may jeopardize your safety. Additionally, any substitutions will void any warranties offered by KMDSI. When ordering spares, always insist on Kirby Morgan Genuine Parts.

