



# Kirby Morgan Dive Systems, Inc.®

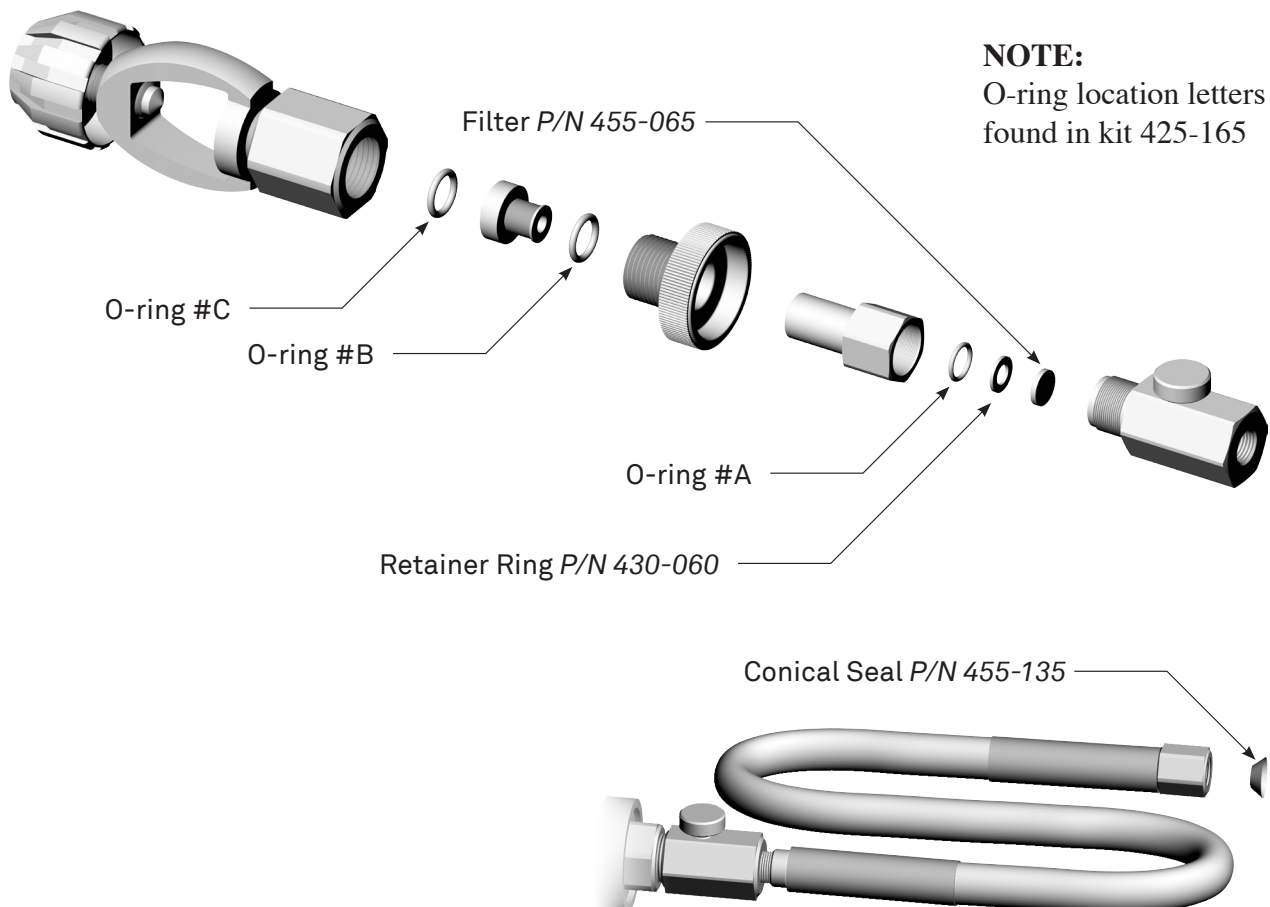
1430 Jason Way Santa Maria, California 93455

Phone: 805/928-7772 Fax: 805/928-0342

www.KirbyMorgan.com email: kmdsi@KirbyMorgan.com

## Part #425-090 KMACS-5 Overhaul Kit

Part #	Description	Qty
410-104	O-ring for 455-130 Check Valve	1
425-120	KMACS-5, DCS 2, 2A, 3 Regulator Rebuild Kit	1
425-150	O-ring Kit for 455-049 Check Valve	1
425-160	Seal Kit	2
425-165	Yoke/Din Assembly O-ring Rebuild Kit	1
430-060	Retainer Ring	2
455-065	Filter	2
455-135	Conical Seal	2
510-009	O-ring	1
510-013	O-ring	1

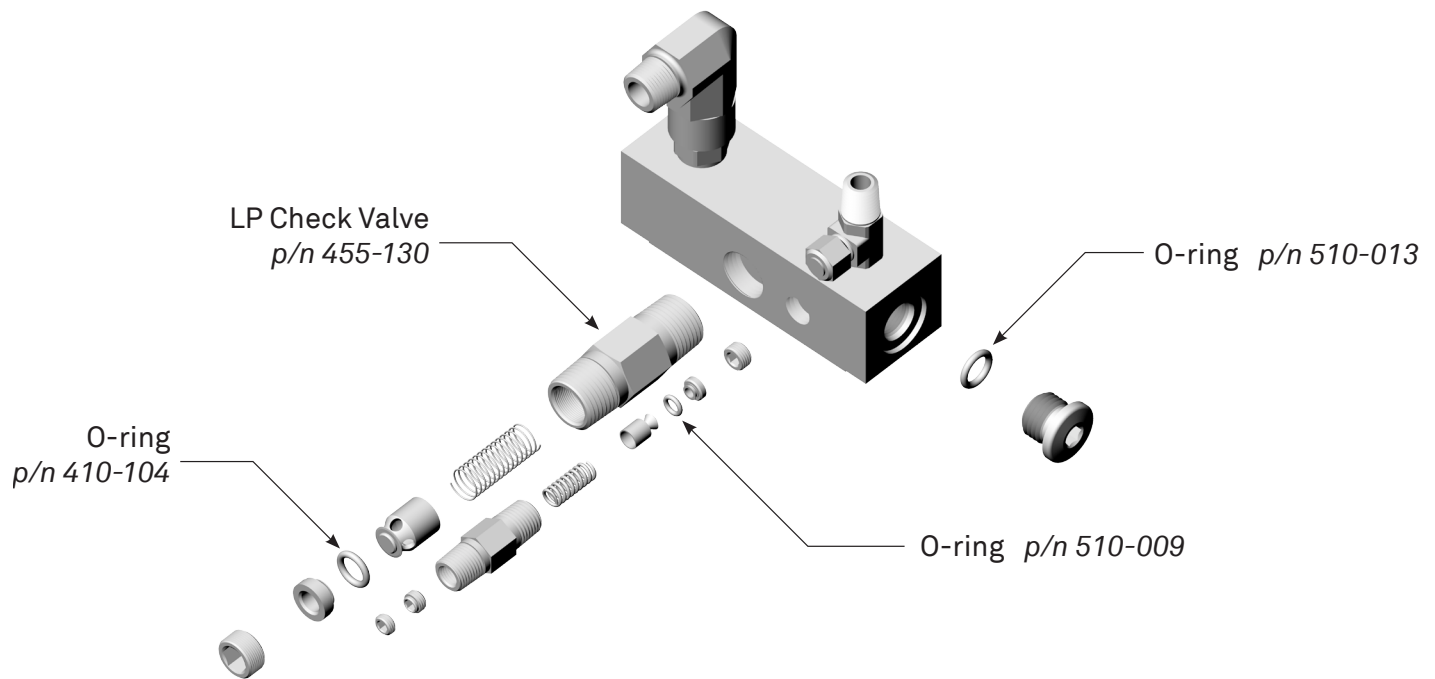


# Kirby Morgan Dive Systems, Inc.®

1430 Jason Way Santa Maria, California 93455

Phone: 805/928-7772 Fax: 805/928-0342

www.KirbyMorgan.com email: kmddsi@KirbyMorgan.com



O-rings should be lightly lubricated with food grade silicone Dow Corning® 111 or equivalent in accordance with the operations and maintenance manual. Christo-Lube® may also be used. At a minimum, all helmet or BandMask® O-rings should be replaced at least once a year in accordance with the A2.1 checklist for the helmet or mask being inspected. During daily and monthly maintenance, disturbed O-rings and valves may be reused providing no damage or deformation is found. O-rings and valves may require replacement more often than yearly if the helmet or mask use is extreme, or if the helmet or mask is used in waters containing oil or chemical contamination. Daily cleaning and inspections as well as performing the monthly inspection (A2.2 checklist) will identify the need more accurately than simply placing a number of hours between overhaul. Store spare O-rings, valves and soft goods in a cool, dark, dry place. Avoid prolonged exposure to temperatures above 90 degrees Fahrenheit and/or exposure to ultra violet rays. Do not lubricate exhaust valves. Lubricating valves can cause dirt to stick, allowing leakage.

## ⚠ CAUTION

**Use only KMDSI original replacement parts. The use of other manufacturers' parts will interfere with the performance characteristics of your life support equipment and may jeopardize your safety. Additionally, any substitutions will void any warranties offered by KMDSI. When ordering spares, always insist on Kirby Morgan Genuine Parts.**